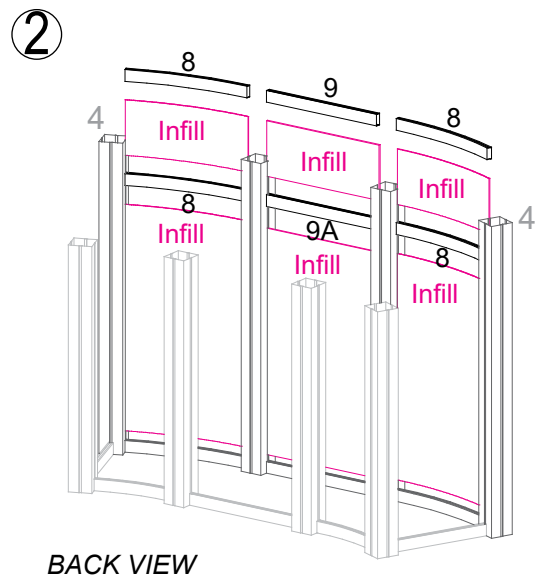
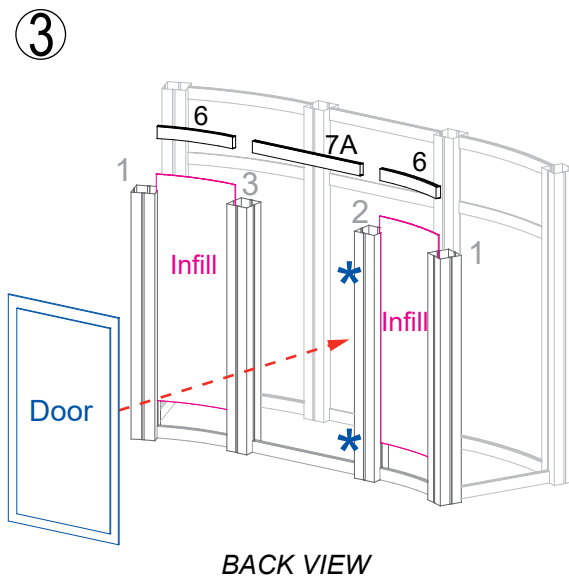


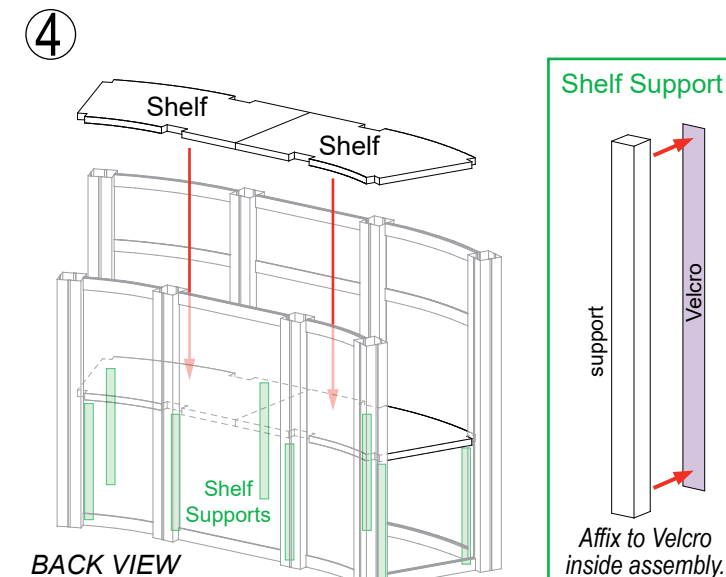
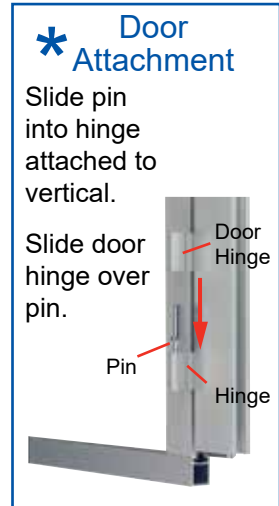
Assemble lower horizontal extrusions [5,6,7,8,9] between vertical extrusions [1,2,3] & [4].



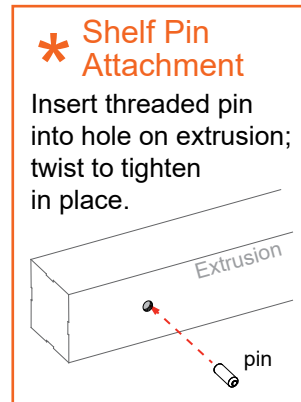
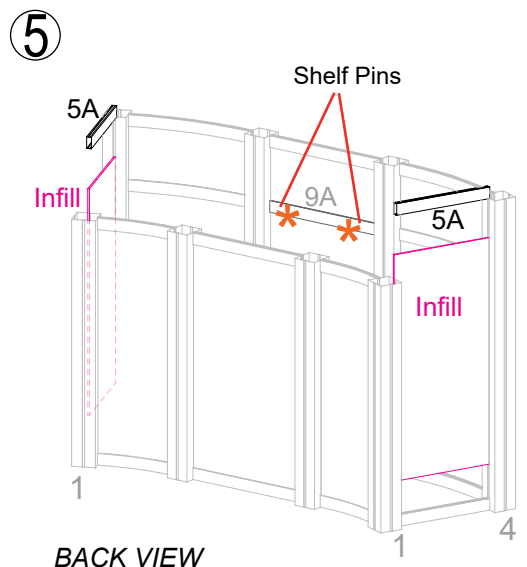
Insert lower & upper front infills between verticals [4], securing with horizontal extrusions [8,9,9A].



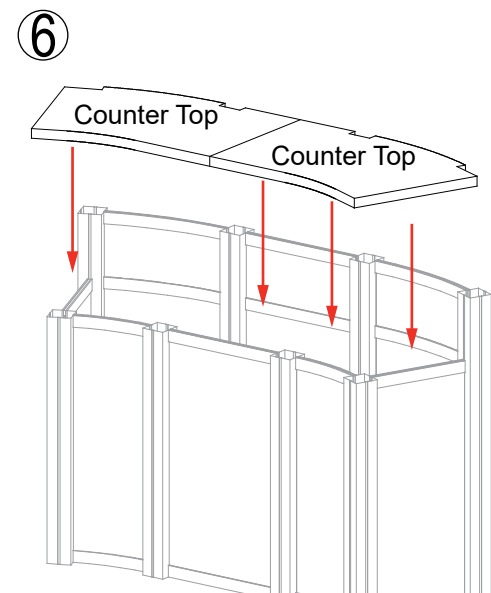
Install Door between verticals [2,3]. Then attach horizontal [7A] between verticals [2,3]. Slide back infills between verticals [1,2] & [3,4] & secure with upper horizontals [6].



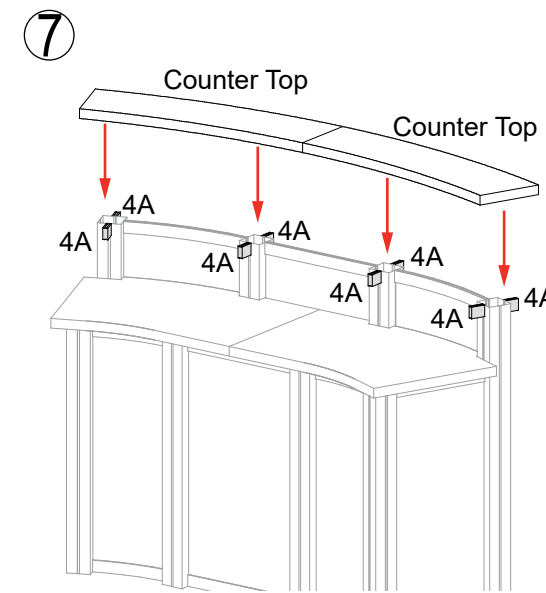
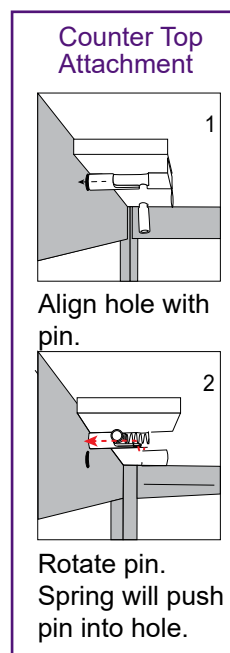
Affix Shelf Supports to Velcro on inside of counter; place 2-piece internal Shelf onto shelf supports.



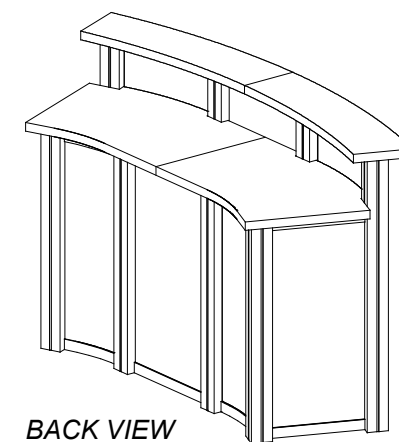
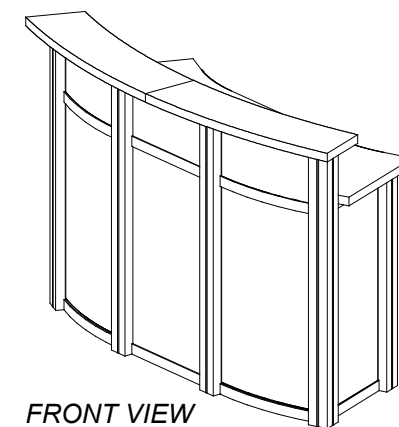
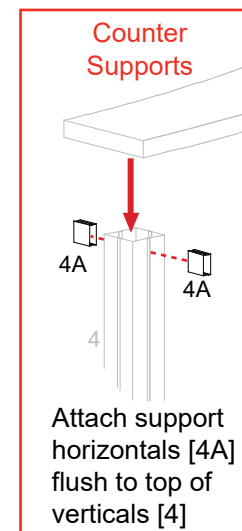
Insert side infills between verticals [1,4], then attach horizontals [5A] between verticals, securing infills. Attach Shelf Pins to horizontal [9A].



Place 2-piece Lower Counter Top onto counter assembly.



Attach support horizontals [4A] to front & back of verticals [4]. Place 2-piece Upper Counter Top onto assembly.



Completed Assembly

Item	Qty.	Description
1	2	38" h Q914 Vertical Extrusion
2,3	1,1	38" h Q914 Vertical Extrusion w/ Door Hardware
4	4	48" h Q914 Vertical Extrusion
4A	8	Horizontal Counter Supports
5/5A	2/2	16" w Z45 Horizontal Extrusion

Item	Qty.	Description
6	4	12.4563" Z45 curved Horizontal Extrusion
7/7A	1/1	19.573" w Z45 Horizontal Extrusion
8	6	20" w Z45 curved Horizontal Extrusion
9	2	20" w Z45 Horizontal Extrusion
9A	1	20" w Z45 Horizontal Extrusion w/ counter connection



SETUP INSTRUCTIONS