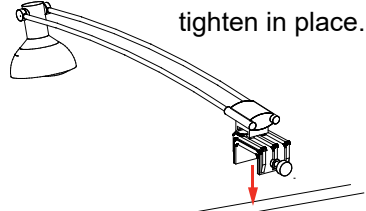


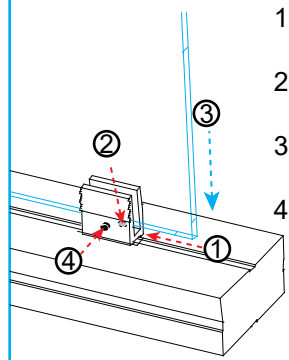
**\* Light Attachment**

Attach lights to Horizontal where desired and tighten in place.

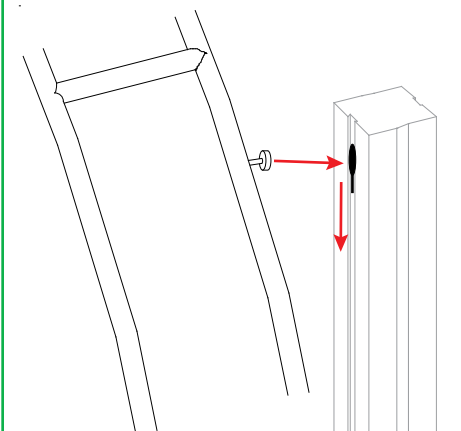


**\* Header Attachment**

- 1) Slide A10 connector into groove of extrusion.
- 2) Tighten set screw to secure A10 to extrusion.
- 3) Insert Header into Clamp.
- 4) Tighten knob to secure wing in place.



**\* Keyhole Attachment**

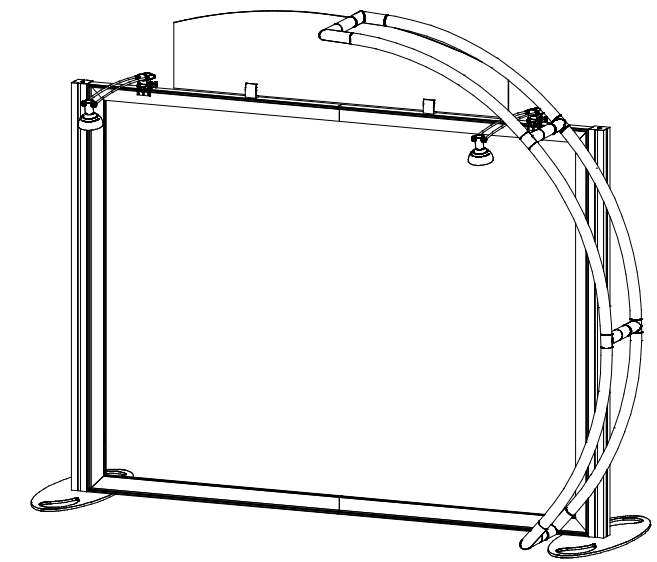
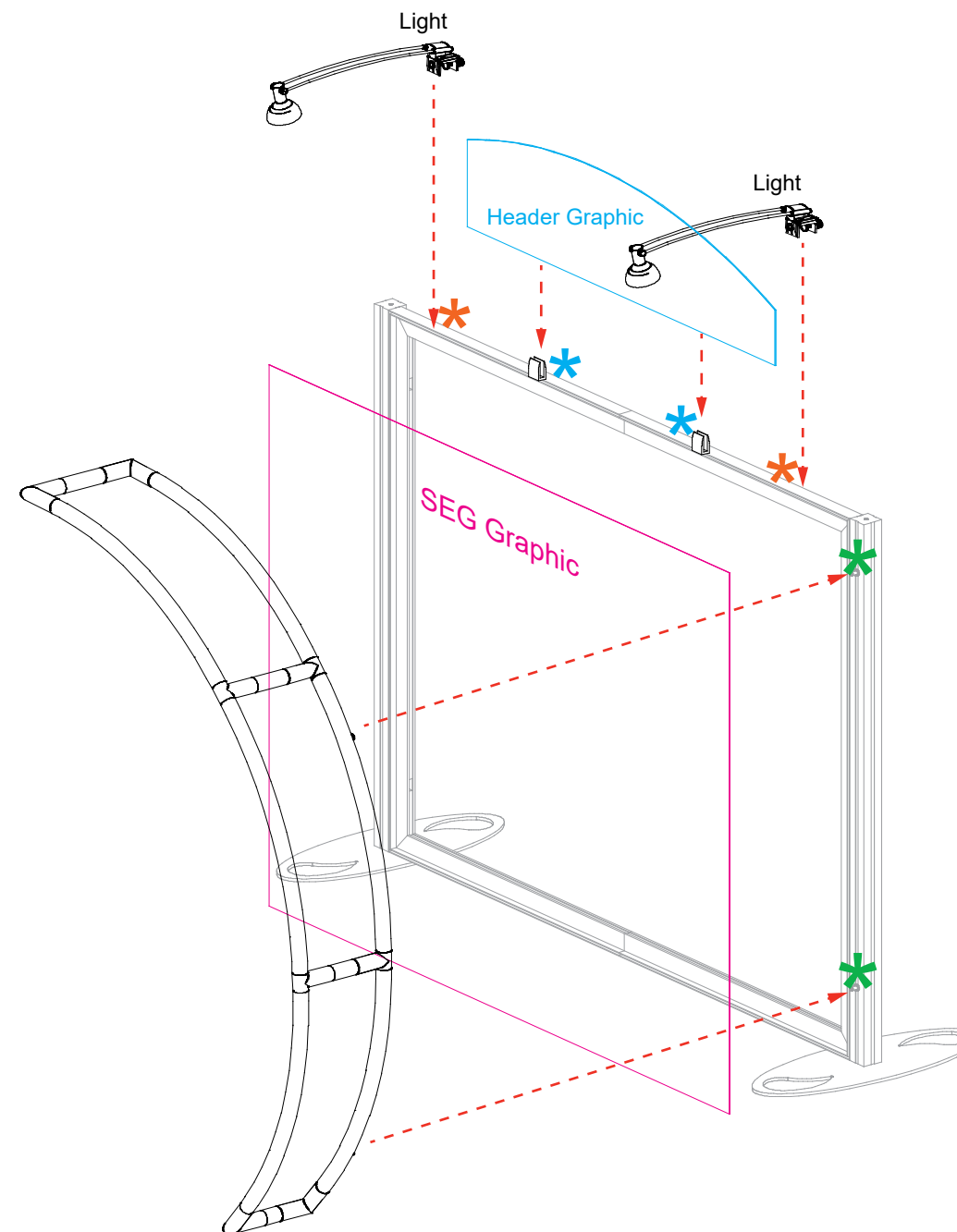


Insert bolts of Aero frame into keyhole slot in groove of vertical extrusion, slide Aero frame down to secure.

Steps:

Refer to the SEG Installation general information page.

- 1) Apply SEG graphic to front of frame assembly.
- 2) Connect Aero Frame to key holes on vertical [3].
- 3) Attach Header Graphic to top horizontals using A10 clamps.  
See [Header Attachment](#) detail.
- 4) Connect Lights to top horizontals.  
See [Light Attachment](#) detail.



When assembled