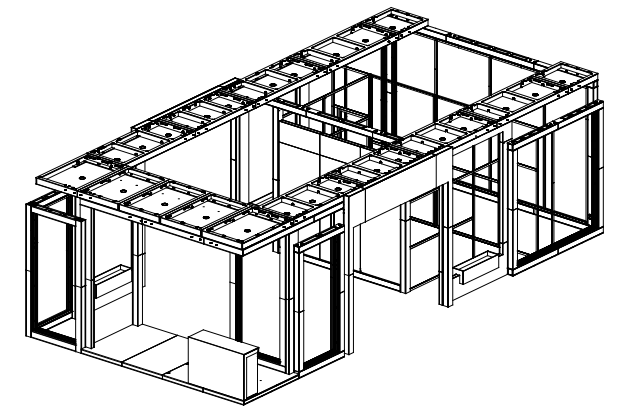
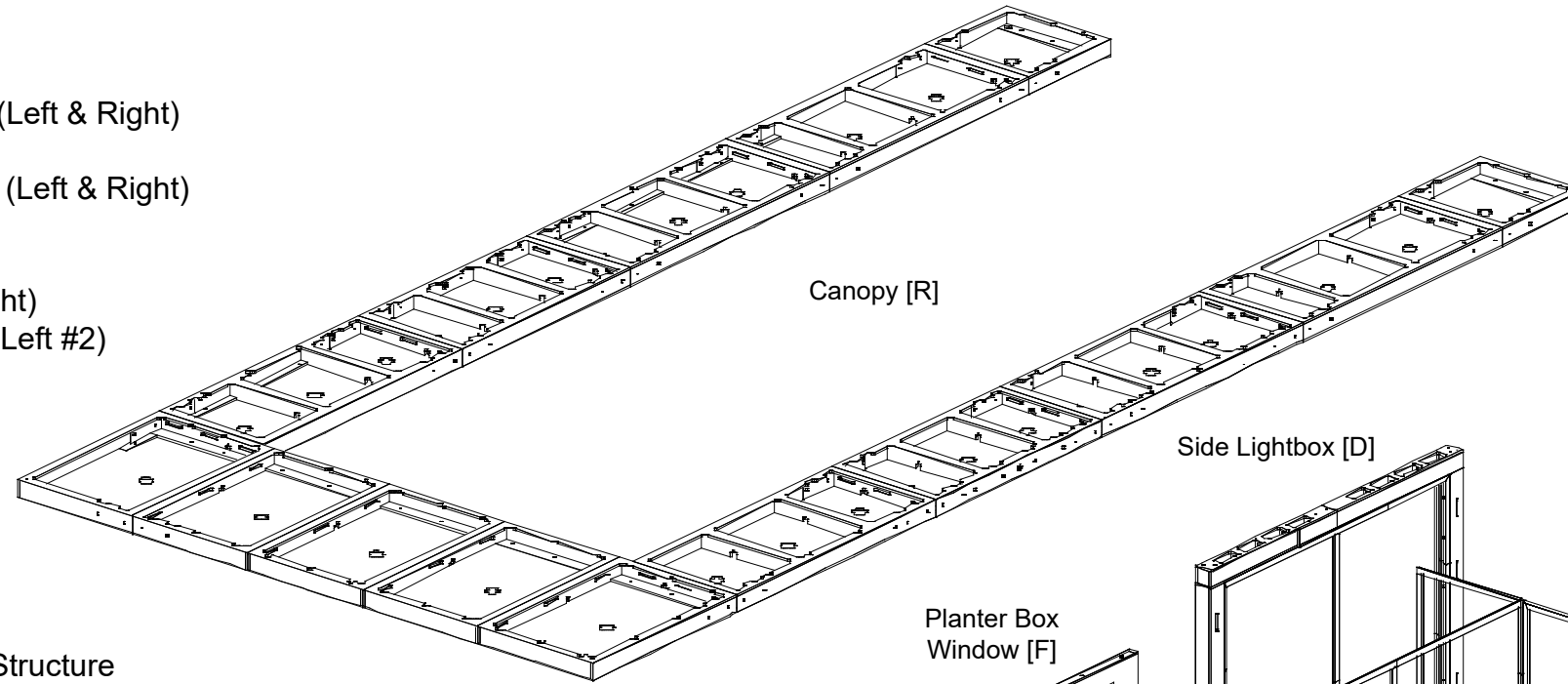


Page	Section	Description
Steps 1-2	C	Back Wall & Lightbox
Steps 3-7	D,E	Side Wall & Lightbox (Left & Right)
Steps 8-10	--	Internal Wall
Steps 11-12	F,H	Planter Box Windows (Left & Right)
Steps 13-14	A	Monitor Wall
Steps 15-16	--	Internal Return Walls
Steps 17-18	J,K	Entry Arch (Left & Right)
Step 19	G	Planter Box Window (Left #2)
Steps 20-21	L	Corner Lightboxes

Page	Section	Description
Steps 22-23	P	Front Floor Assembly
Steps 24-26	N	Front Inner Lightbox Structure
Step 27	Q	Front Outer Structure
Steps 28-30	M	Side Lightbox
Steps 31-33	R	Canopy Attachment
Step 34	--	Graphics

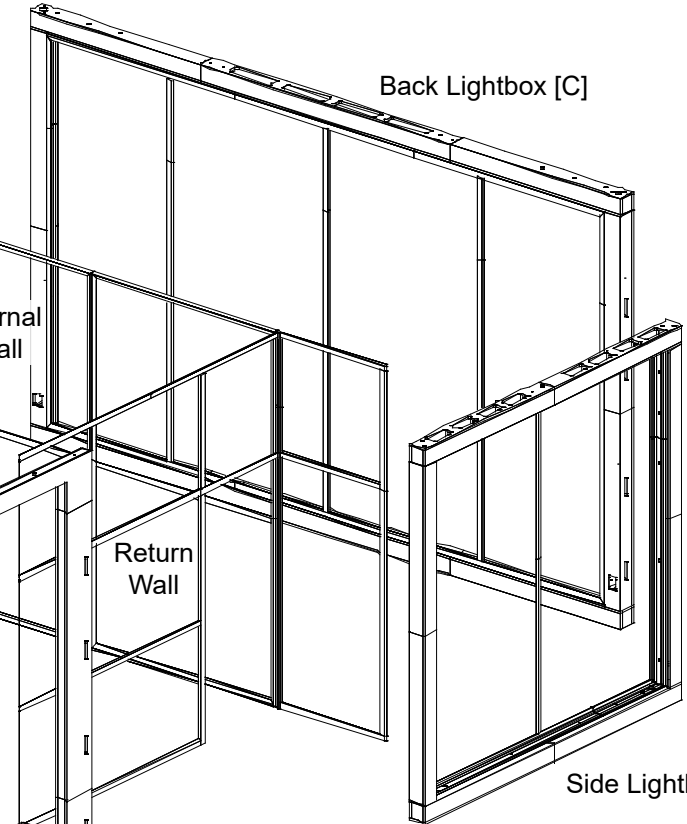


Completed Assembly

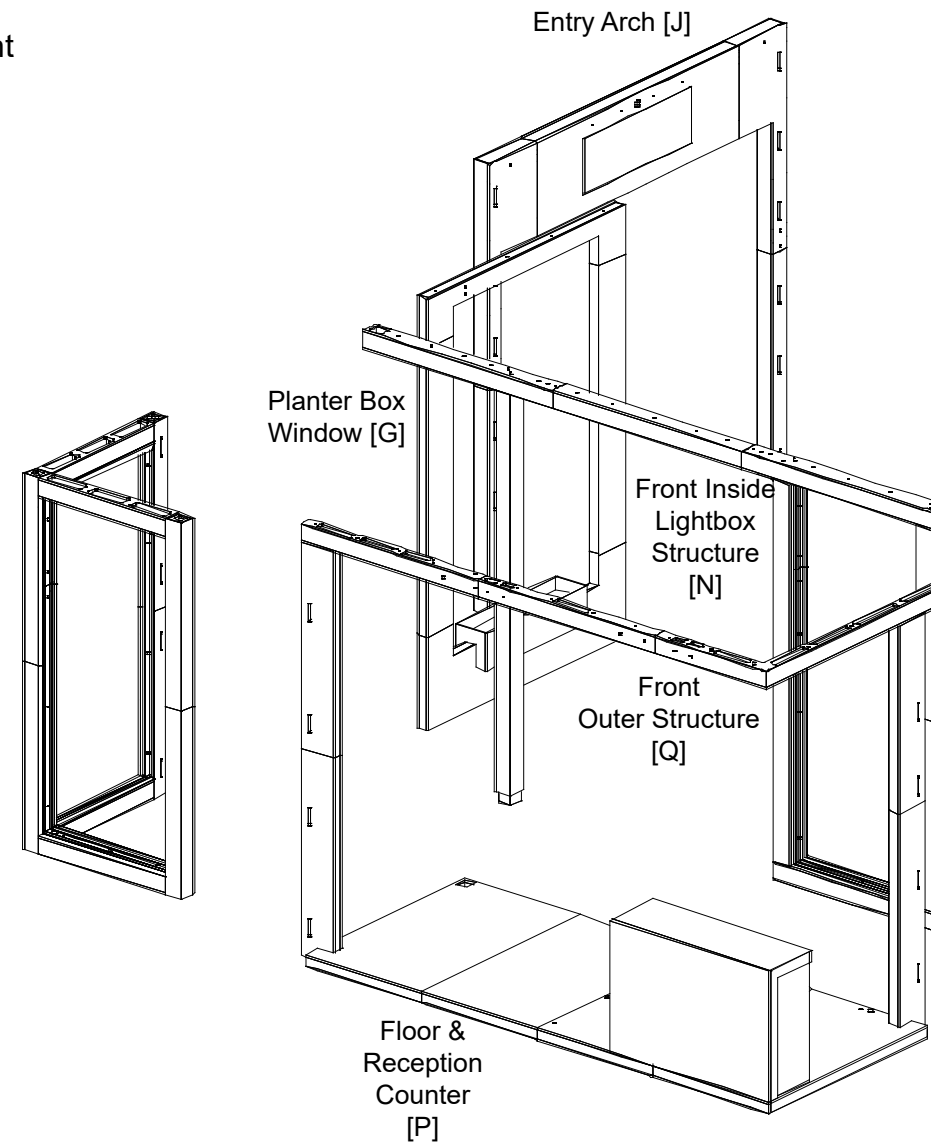


Canopy [R]

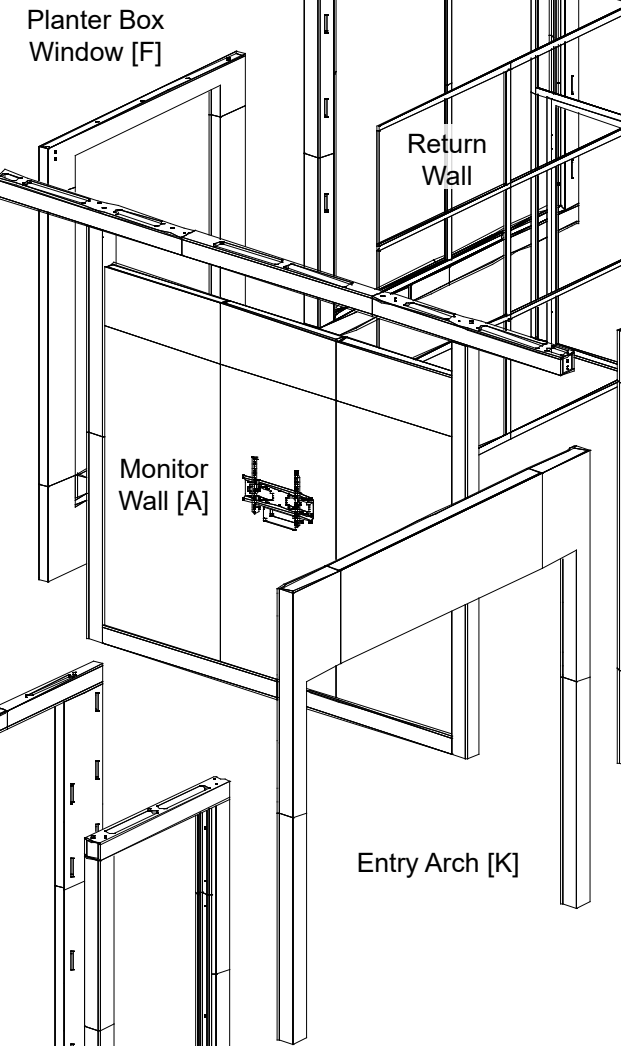
Side Lightbox [D]



Back Lightbox [C]



Entry Arch [J]



Planter Box Window [F]

Return Wall

Internal Wall

Monitor Wall [A]

Return Wall

Planter Box Window [G]

Front Inside Lightbox Structure [N]

Front Outer Structure [Q]

Planter Box Window [H]

Side Lightbox [E]

Corner Lightboxes [L]

Floor & Reception Counter [P]

Side Lightbox [M]

Entry Arch [K]